

VitrA – Neon Badekar

VitrA Neon Badekar.

Produsert i flott sanitær akryl.

Holder seg hvit og fint i farge.

Leveres med bensett og overløp.



VitrA Neon 150 x 70
Volum: 155 liter



VitrA Neon 160 x 70
Volum: 175 liter



VitrA Neon 170 x 70
Volum: 192 liter

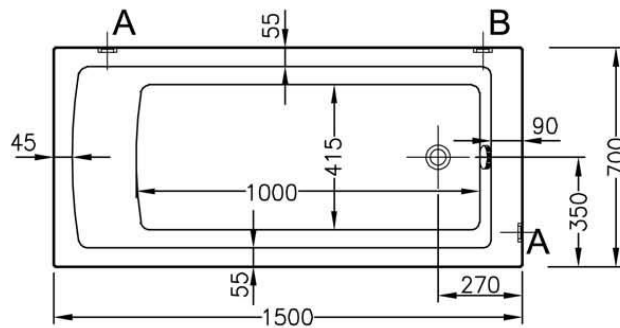


VitrA Neon 180 x 80
Volum: 208 liter

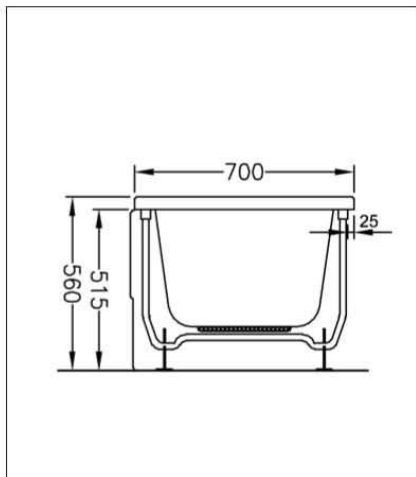
NEON RECTANGULAR 150x70 cm

VitrA®

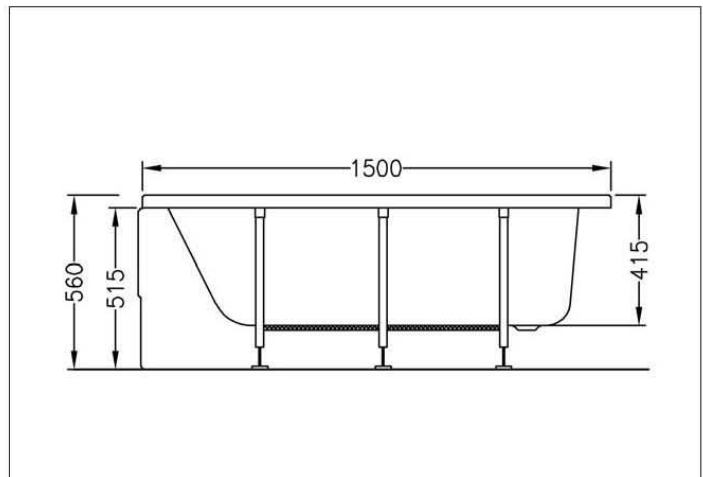
Size (cm)	: 150x70
Height (cm)	: 56
Weight (kg)	: 19
Front Panel Weight (kg)	: 4
Side Panel Weight (kg)	: 2
Volume (lt)	: 155
Available massage systems:	Aqua Soft Aqua Soft Easy



Plan



Side View



Front View

NEON RECTANGULAR 150x70 cm



Detail A



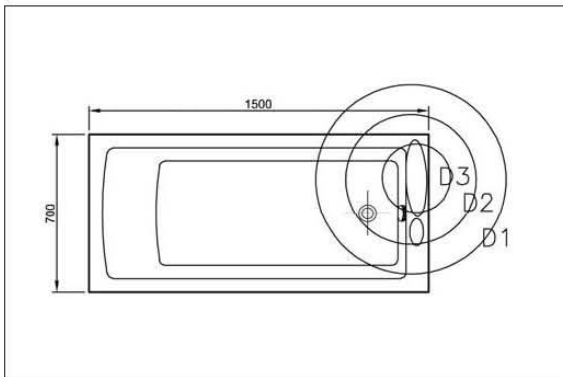
Detail B

- As shown in Figure Plan, the wall hangers (details A-B) are used to fix the product to the wall. It is suggested to use the wall hangers to rigid the bathtub.

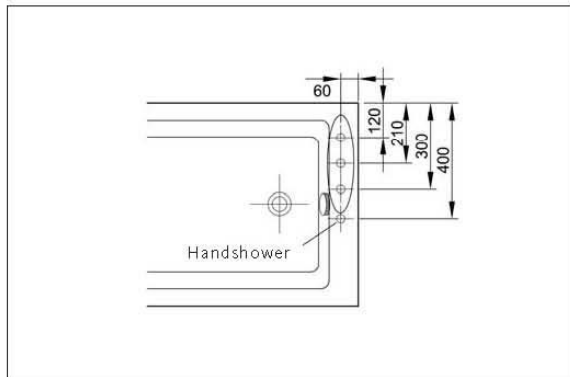
Points to Notice:

- An elbow and a waste connection hose of 50 mm. will be delivered with the product but an edge lath and other accessories are not included.
- The place where the product will be installed should be straight.
- An airing and access window should be left if the hydromassage bathtub is installed without panels.
- The corner bathtubs should not be installed to an U-shaped place.
- During the installation of the panels, the adjustment of the leg set should be carried out according to the height of the panel.
- The electrical system is running with 220 volt (with earth connection). For its connection a 3x2,5 mm. cable should be used.
- The product should be protected with an appropriate ampere fuse (for Duo Maxi System 20 ampere, for Duo Soft System 16 ampere, for Aqua Maxi and Aqua Soft Systems 10 ampere) and the amper fuse should be closed when it is not used.
- The faucet applications should be from the points shown in the drawings below which are indicated with stickers on the product.
- The faucet should not be applied on the pump of the hydromassage bathtub.
- The spout should be min 17 cm. if the faucets are installed to the wall.
- For the cleaning of the acrylic bathtub look at the User Manual.
- Waste connection fuse, wall hangers and user manual are delivered with the product.

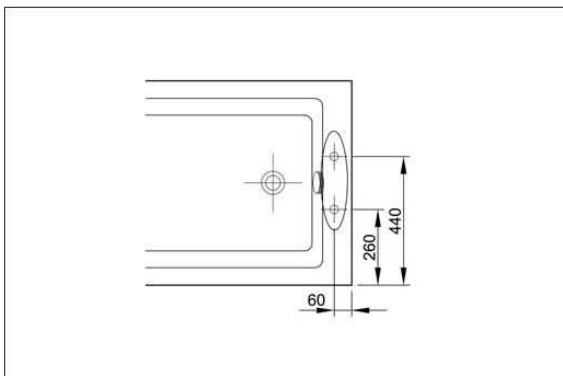
Faucet Applications



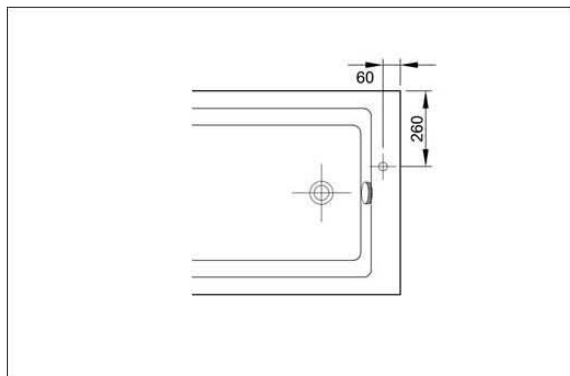
Faucet Application Places



Bath Filler 4 Holes



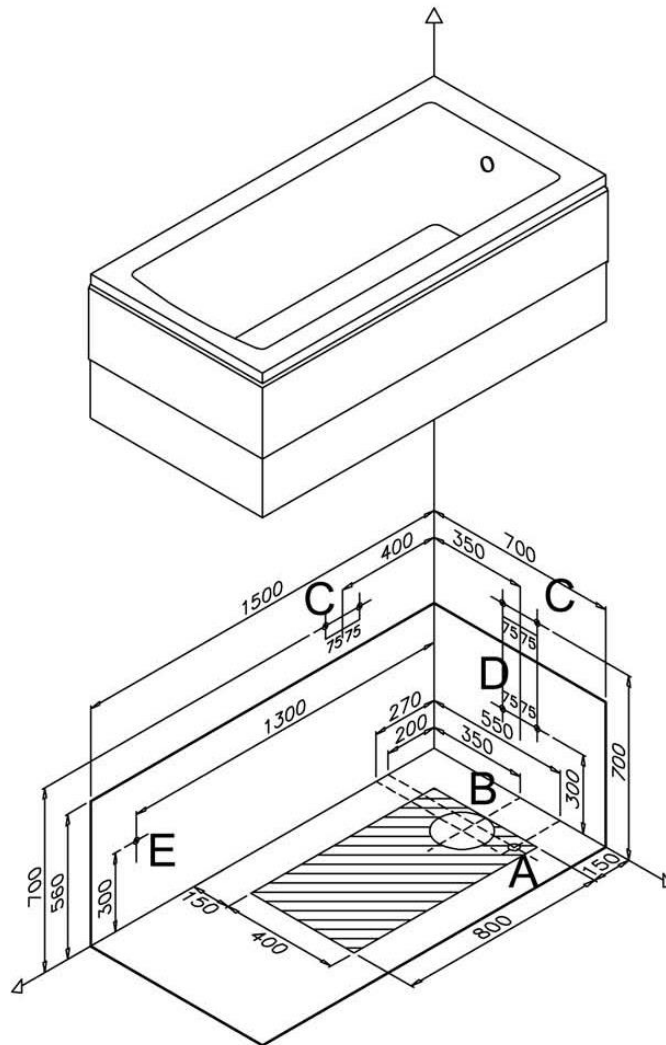
Bath Filler 2 Holes




Bath Filler one Hole

NEON RECTANGULAR 150x70 cm

Scala Bad
DESIGN



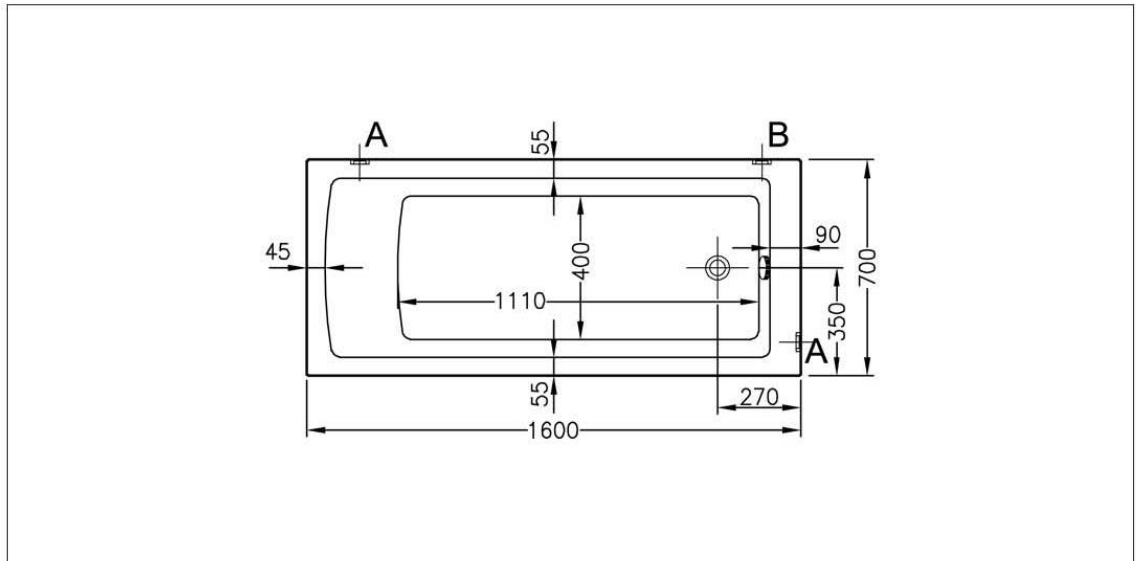
-  : The area where the waste outlet ($\varnothing 50$ mm) can be placed in.
- A** : Ideal position of the waste outlet ($\varnothing 50$ mm). The end point of the waste outlet should not be cut out, and should be left at least 50 mm. above the surface.
- B** : The area ($\varnothing 200$ mm.) where the waste outlet should not be left.
- C** : Hot & cold water inlet for the wall taps.
- D** : Hot & cold water inlet for the taps on the bathtub.
- E** : Measures for electrical connection of whirlpool tubs.

There is no need to leave additional space for the silicone during the installation process. It is enough to prepare the required area according to the size of the product.

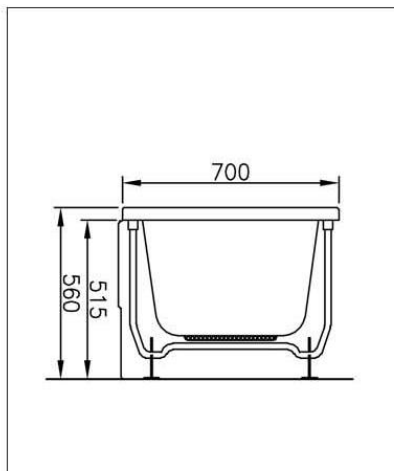
NEON RECTANGULAR 160x70 cm

VitroA®

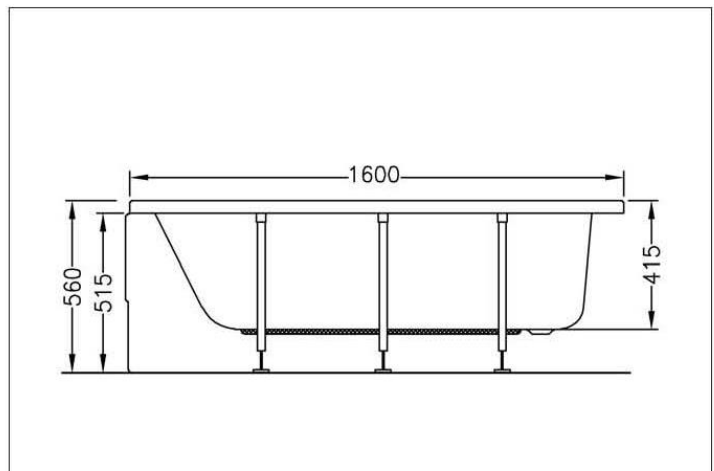
Size (cm)	: 160x70
Height (cm)	: 56
Weight (kg)	: 20
Front Panel Weight (kg)	: 4.5
Side Panel Weight (kg)	: 2
Volume (lt)	: 175
Available massage systems	: Aqua Soft Aqua Soft Easy



Plan



Side View



Front View

NEON RECTANGULAR 160x70 cm

VitrA®



Detail A



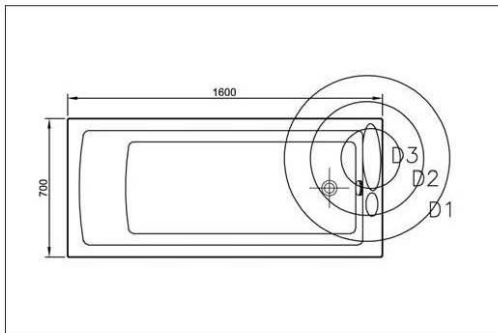
Detail B

- As shown in Figure Plan, the wall hangers (details A-B) are used to fix the product to the wall. It is suggested to use the wall hangers to rigid the bathtub.

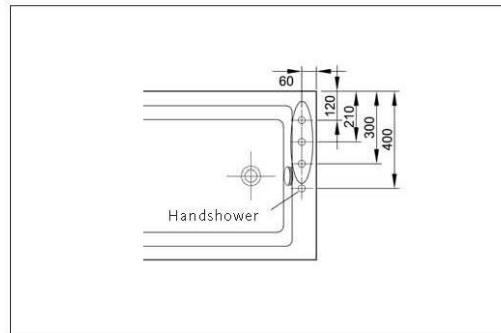
Points to Notice:

- An elbow and a waste connection hose of 50 mm. will be delivered with the product but an edge lath and other accessories are not included.
- The place where the product will be installed should be straight.
- An airing and access window should be left if the hydromassage bathtub is installed without panels.
- The corner bathtubs should not be installed to an U-shaped place.
- During the installation of the panels, the adjustment of the leg set should be carried out according to the height of the panel.
- The electrical system is running with 220 volt (with earth connection). For its connection a 3x2,5 mm. cable should be used.
- The product should be protected with an appropriate ampere fuse (for Duo Maxi System 20 ampere, for Duo Soft System 16 ampere, for Aqua Maxi and Aqua Soft Systems 10 ampere) and the amper fuse should be closed when it is not used.
- The faucet applications should be from the points shown in the drawings below which are indicated with stickers on the product.
- The faucet should not be applied on the pump of the hydromassage bathtub.
- The spout should be min 17 cm. if the faucets are installed to the wall.
- For the cleaning of the acrylic bathtub look at the User Manual.
- Waste connection fuse, wall hangers and user manual are delivered with the product.

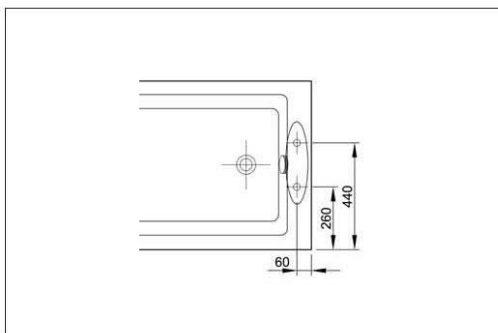
Faucet Applications



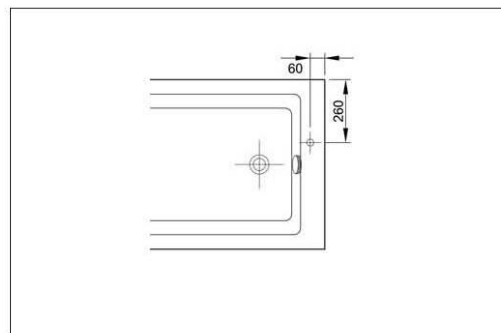
Faucet Application Places



Bath Filler 4 Holes



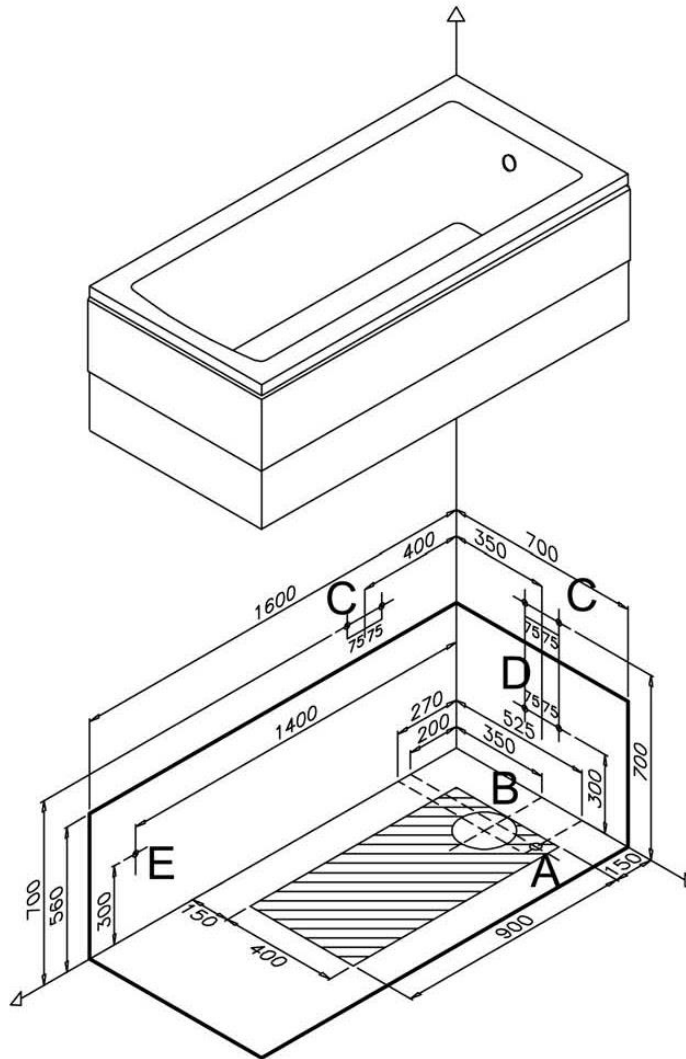
Bath Filler 2 Holes



Bath Filler one Hole

NEON RECTANGULAR 160x70 cm

VitrA®



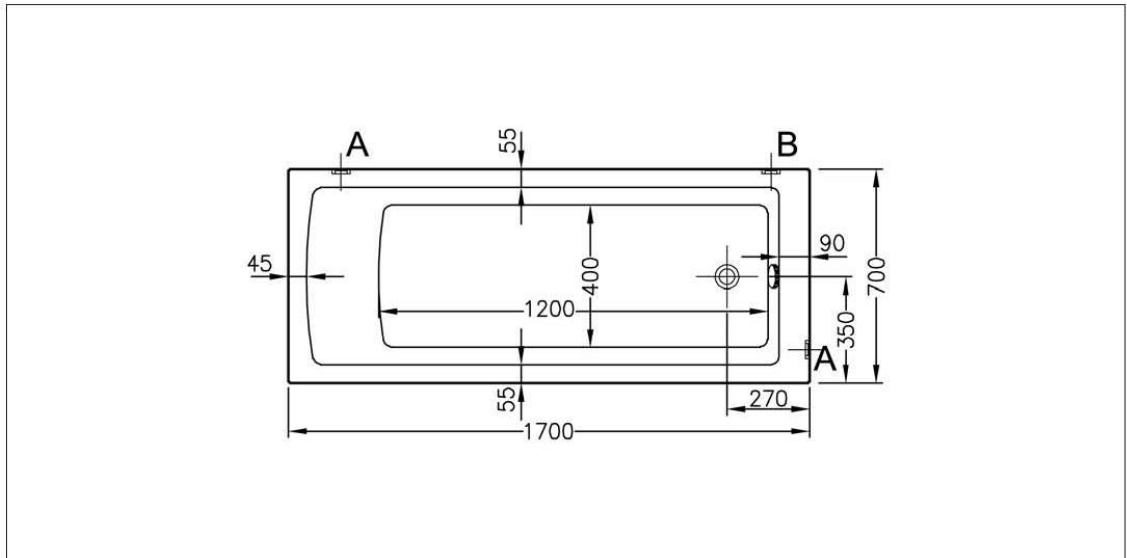
- ☒ : The area where the waste outlet (ø 50 mm) can be placed in.
- A** : Ideal position of the waste outlet (ø 50 mm). The end point of the waste outlet should not be cut out, and should be left at least 50 mm. above the surface.
- B** : The area (ø 200 mm.) where the waste outlet should not be left.
- C** : Hot & cold water inlet for the wall taps.
- D** : Hot & cold water inlet for the taps on the bathtub.
- E** : Measures for electrical connection of whirlpool tubs.

There is no need to leave additional space for the silicone during the installation process. It is enough to prepare the required area according to the size of the product.

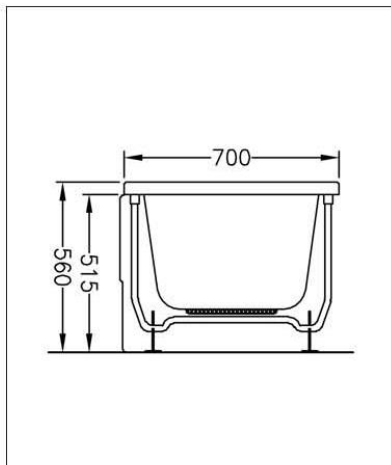
NEON RECTANGULAR 170x70 cm

VitroA®

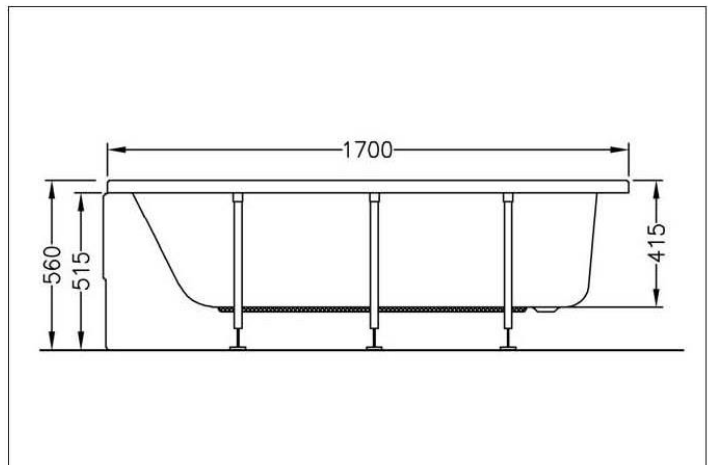
Size (cm)	: 170x70
Height (cm)	: 56
Weight (kg)	: 21
Front Panel Weight (kg)	: 5
Side Panel Weight (kg)	: 2
Volume (lt)	: 192
Available massage systems	: Aqua Soft Aqua Soft Easy



Plan



Side View



Front View

NEON RECTANGULAR 170x70 cm

VitrA®



Detail A



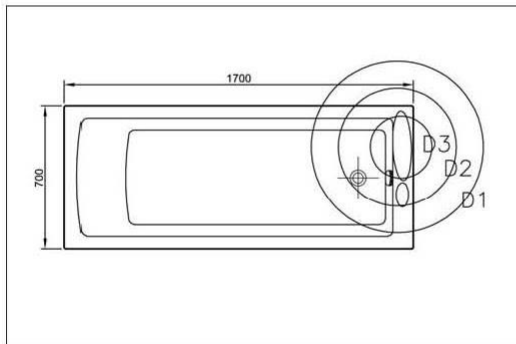
Detail B

- As shown in Figure Plan, the wall hangers (details A-B) are used to fix the product to the wall. It is suggested to use the wall hangers to rigid the shower tray.

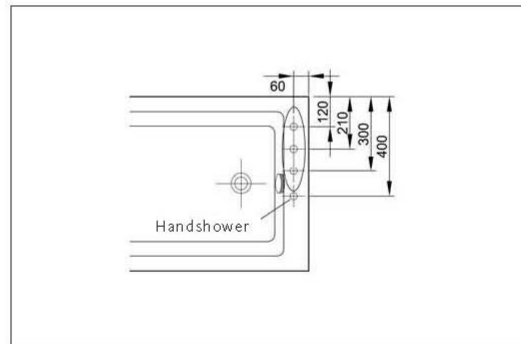
Points to Notice:

- An elbow and a waste connection hose of 50 mm. will be delivered with the product but an edge lath and other accessories are not included.
- The place where the product will be installed should be straight.
- An airing and access window should be left if the hydromassage bathtub is installed without panels.
- The corner bathtubs should not be installed to an U-shaped place.
- During the installation of the panels, the adjustment of the leg set should be carried out according to the height of the panel.
- The electrical system is running with 220 volt (with earth connection). For its connection a 3x2,5 mm. cable should be used.
- The product should be protected with an appropriate ampere fuse (for Duo Maxi System 20 ampere, for Duo Soft System 16 ampere, for Aqua Maxi and Aqua Soft Systems 10 ampere) and the amper fuse should be closed when it is not used.
- The faucet applications should be from the points shown in the drawings below which are indicated with stickers on the product.
- The faucet should not be applied on the pump of the hydromassage bathtub.
- The spout should be min 17 cm. if the faucets are installed to the wall.
- For the cleaning of the acrylic bathtub look at the User Manual.
- Waste connection fuse, wall hangers and user manual are delivered with the product.

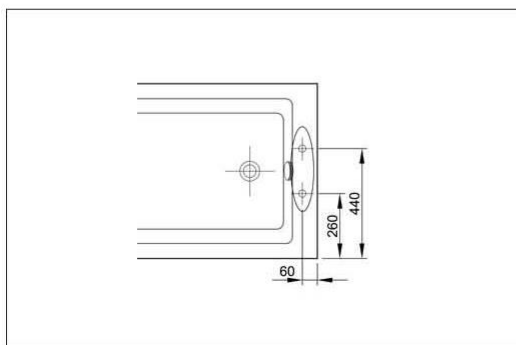
Faucet Applications



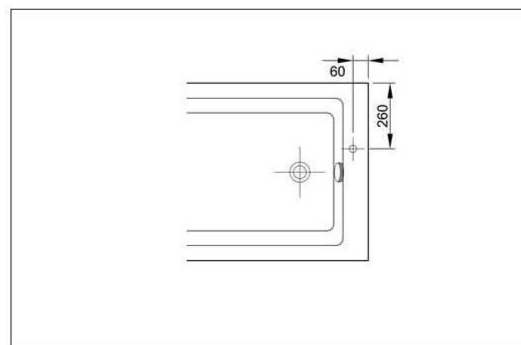
Faucet Application Places



Bath Filler 4 Holes



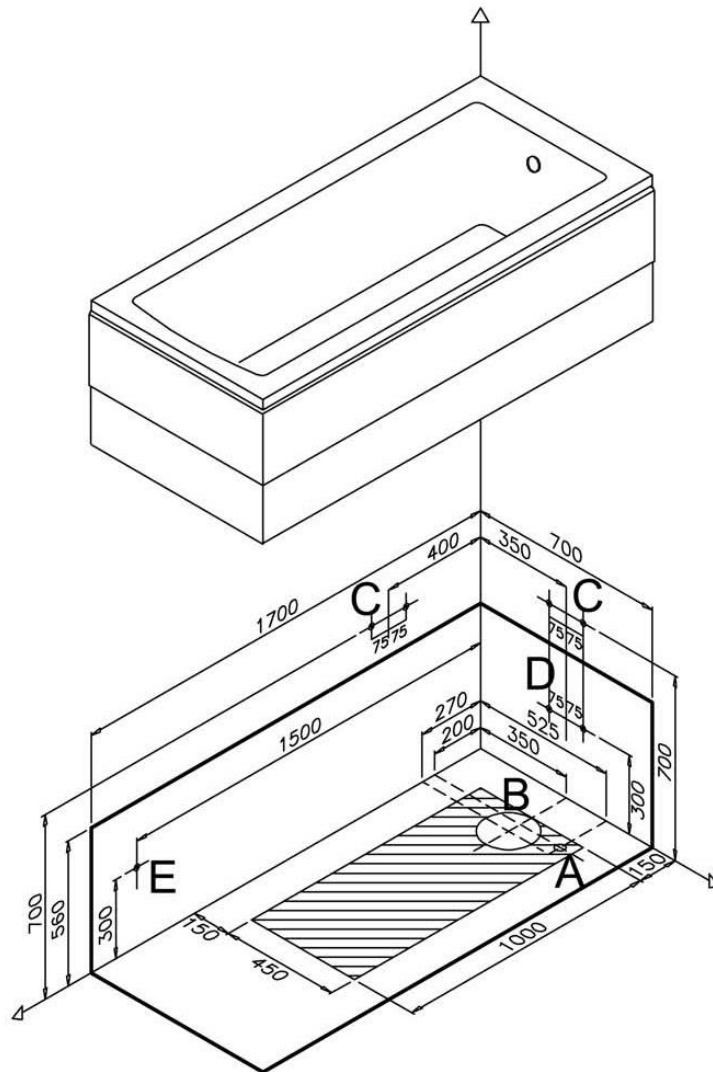
Bath Filler 2 Holes



Bath Filler one Hole

NEON RECTANGULAR 170x70 cm

VitrA®



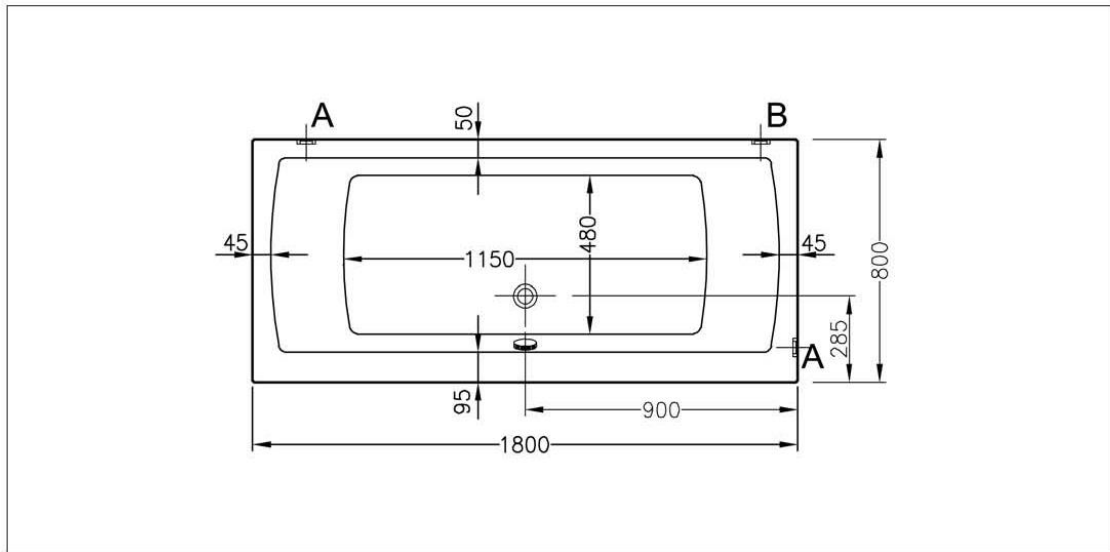
- ☑ : The area where the waste outlet (ø 50 mm) can be placed in.
- A** : Ideal position of the waste outlet (ø 50 mm). The end point of the waste outlet should not be cut out, and should be left at least 50 mm. above the surface.
- B** : The area (ø 200 mm.) where the waste outlet should not be left.
- C** : Hot & cold water inlet for the wall taps.
- D** : Hot & cold water inlet for the taps on the bathtub.
- E** : Measures for electrical connection of whirlpool tubs.

There is no need to leave additional space for the silicone during the installation process. It is enough to prepare the required area according to the size of the product.

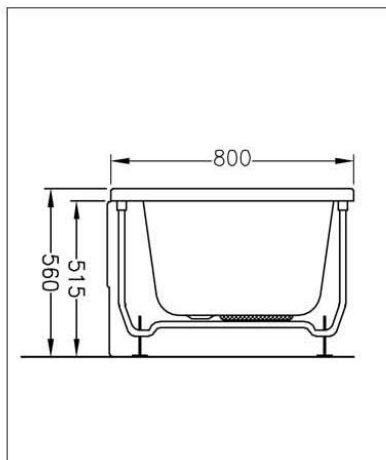
NEON RECTANGULAR DOUBLE ENDED 180x80 cm

VitrA®

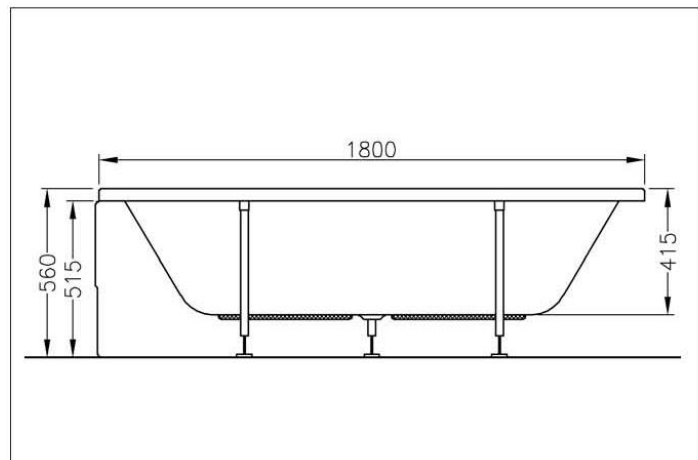
Size (cm)	: 180x80
Height (cm)	: 56
Weight (kg)	: 24
Front Panel Weight (kg)	: 5.5
Side Panel Weight (kg)	: 3
Volume (lt)	: 208
Available massage systems:	Duo Soft Aqua Maxi Aqua Soft Aqua Soft Easy



Plan



Side View



Front View

NEON RECTANGULAR DOUBLE ENDED 180x80 cm

VitrA®



Detail A



Detail B

- As shown in Figure Plan, the wall hangers (details A-B) are used to fix the product to the wall. It is suggested to use the wall hangers to rigid the bathtub.

Points to Notice:

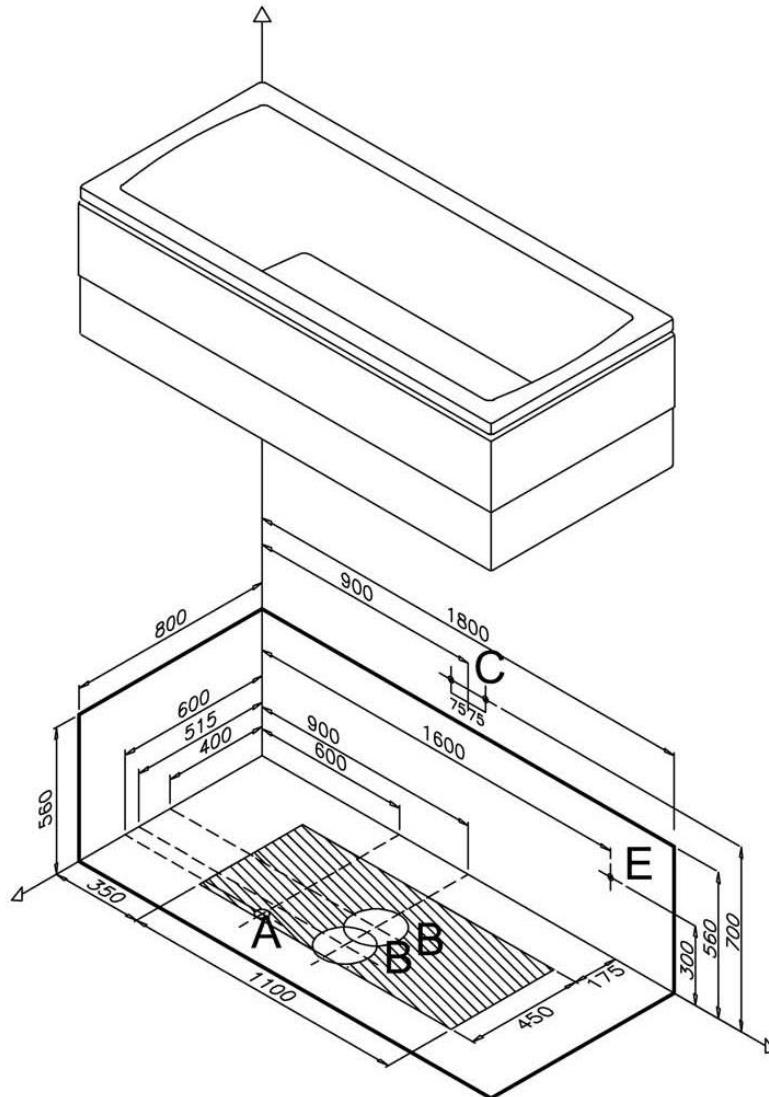
- Neon Rectangular Doubleended 180x80 is a symmetrical model. The siphone hole and siphone controlling handle are in the middle. Therefore, it is convenient for double-ended usage.
- An elbow and a waste connection hose of 50 mm. will be delivered with the product but an edge lath and other accessories are not included.
- The place where the product will be installed should be straight.
- During the installation of the panels, the adjustment of the leg set should be carried out according to the height of the panel.
- The electrical system is running with 220 volt (with earth connection). For its connection a 3x2,5 mm. cable should be used.
- The product should be protected with an appropriate ampere fuse (for Duo Maxi System 20 ampere, for Duo Soft System 16 ampere, for Aqua Maxi and Aqua Soft Systems 10 ampere) and the amper fuse should be closed when it is not used.
- The faucet should not be applied on the pump of the hydromassage bathtub.
- The spout should be min 15 cm. if the faucets are installed to the wall.
- For the cleaning of the acrylic bathtub look at the User Manual.
- Waste connection fuse, wall hangers and user manual are delivered with the product.

Faucet Applications

ANY APPLICATION OF TABS ON THIS BATHTUB IS NOT POSSIBLE.

NEON RECTANGULAR DOUBLE ENDED 180x80 cm

VitrA®

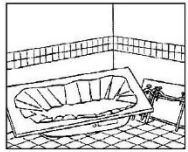


- ☒ : The area where the waste outlet (ø 50 mm) can be placed in.
- A : Ideal position of the waste outlet (ø 50 mm). The end point of the waste outlet should not be cut out, and should be left at least 50 mm. above the surface.
- B : The area (ø 200 mm.) where the waste outlet should not be left.
- C : Hot & cold water inlet for the wall taps.
- D : Hot & cold water inlet for the taps on the bathtub.
- E : Measures for electrical connection of whirlpool tubs.

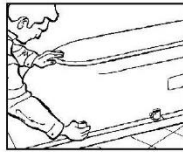
There is no need to leave additional space for the silicone during the installation process. It is enough to prepare the required area according to the size of the product.

Installation guide for bathtubs

VitrA



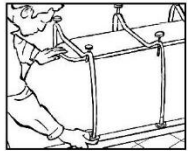
1 Before installation ensure that all required elements are assembled.



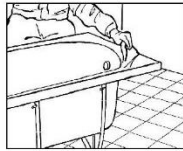
2 Fix the leg location brackets to the underside of the bath rim. There are marks to indicate the correct position.



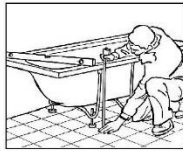
3 Leg set is supplied separately.



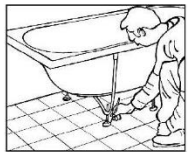
4 Install the leg set to bath.



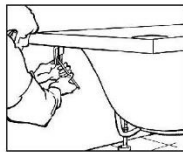
5 Remove all the protective covering from the bath. Inspect the bath for any marks or damage before proceeding any further.



6 Place the bath into the position where it is to be installed. Adjust the leg set to the desired height to suit the panels.

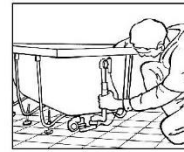


7 Mark the floor where the fixings for the feet are to be made.

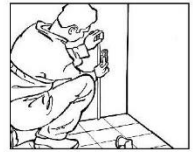


8 Mark the wall where the fixings for the wall bracket are to be made.

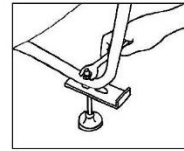
VitrA



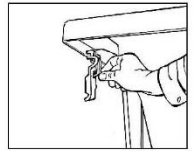
11 Install the bath waste to the bath prior to fixing the bath into position (bath waste not supplied).



12 Fix the wall brackets to the wall with the fixings supplied and place the bath into the required position.



14 Install and adjust the panel supports.



15 Secure the bath to the wall by tightening the wing nut on the wall bracket.

Justering av Ben - ca. 5 cm

Installation guide for bathtubs

VitrA

Polishing

Any accidental mark, scratch or cigarette burn that appears on the acrylic can be removed by the following simple procedure:



- 1- Drizzle a small pool of water over the scratch. Then with fine (1200) wet and dry paper, remove the scratch using a gentle abrasive motion.



- 2- The wet and dry paper may leave some marks, but these can be removed by polishing the acrylic with car varnish.



- 3- To ensure that the acrylic shines like new, give the area a final polish with silicon car glaze.



- 4- The above procedure can be carried out either by hand or using a buffer (orbital polishing motor).

VitrA

Warnings

- The bath/shower tray should always be cleaned immediately after use with hot soapy water. The film of insoluble soap products, body fats and grime, which will otherwise harden on the side of the bath/shower tray, is easily removed by prompt action at this stage.
- Cleaners of an abrasive nature should never be used.
- Acrylic has good resistance to acids and alkalis, but should not be allowed to get in contact with organic solvents such as dry cleaning agents and paint strippers.
- Cigarettes should not be allowed to come in contact with the surface of the bath/shower tray in case accidental damage occurs. If a cigarette touches the surface, the burn mark can be removed by polishing.
- If construction in the bathroom is to be continued after installation, the protective thin film coated on the surface of the product should not be removed.

Vedlikehold og Rengjøring:

Skyll over og tørk overflaten med en myk klut etter hvert bruk.

Bruk milde, rene vaskemidler. Må ikke bruke sterke, syreholdige midler og ikke ammoniakk. For vanskeligere flekker bruk middels, skurekrem (en som ikke riper) og myk skrubb. Tørk av med myk klut for å fjerne vannrester.